

LR725L

Ultrasonic Level Meter



Integrated type



Separated type

Features

- Automatic echo menu, convenient to query the cause of on-site failure
- Wide measuring range, 1m ~ 50m
- Separated type with wide voltage power supply: 90V ~ 250V AC
- Good anti-interference performance
- Work under strong steam environment
- Probe protection level up to IP68

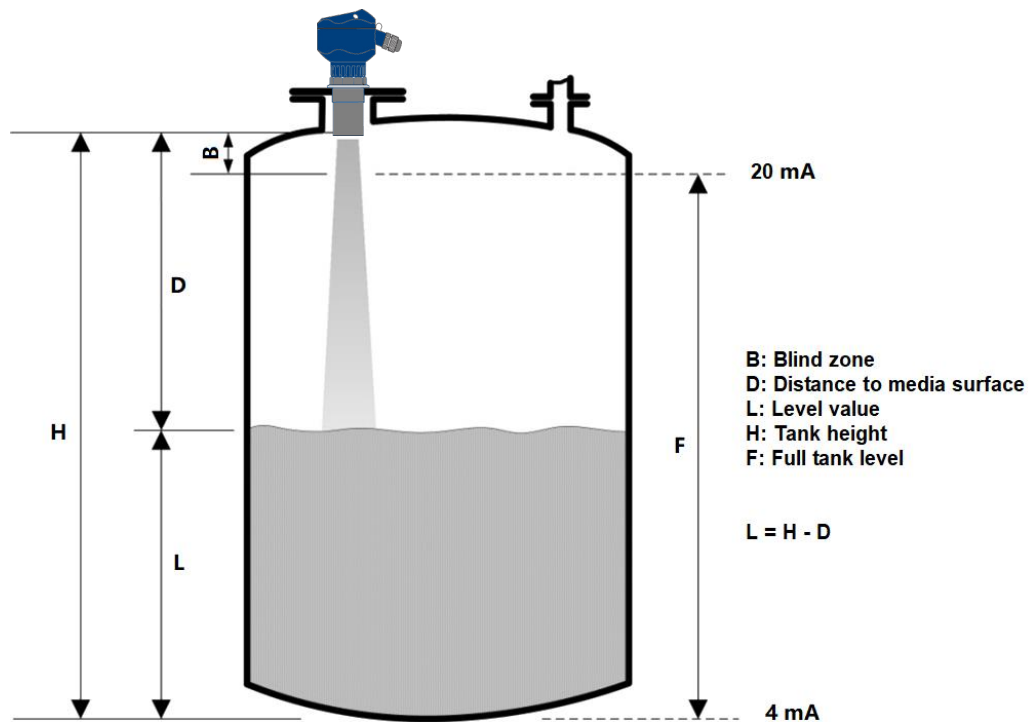
Introduction

LR725L Ultrasonic Level Meter (measuring material level and liquid level) is a non-contact, highly reliable, cost-effective, and easy-to-install and maintain level measuring instrument. It is a low-cost measuring equipment for measuring liquid, slurry, and solids on industrial sites and is widely used in water treatment, municipal administration, chemical industry, metallurgy, and machinery manufacturing industries.

Specification

- Level range: 5, 10, 15, 20, 30, 40, 50mH₂O
- Accuracy: $\pm 0.5\%FS \sim \pm 1.0\%FS$
- Resolution: 3mm or $\pm 0.1\%$ (max. value is valid)
- Display: English LCD display
- Analog output: 4mA~20mA DC (510 Ω load)
- Relay output: single channel is 2 groups; dual channel is 4 groups AC 250V/8A or DC 30V/5A state programmable (optional)
- Power supply: 220V AC ($\pm 15\%$, default)
24V DC 120mA (optional)
12V DC, 9V DC, battery powered (customized)
- Ambient temperature: display instrument $-20^{\circ}C \sim 60^{\circ}C$,
probe $-20^{\circ}C \sim 80^{\circ}C$
- Communication interface: RS485 RS232 optional
(manufacturer's protocol)
- Protection: Indicator IP65 (integrated type)
Converter IP65, probe IP68 (separated type)
- Probe cable: up to 100m without electromagnetic interference,
10m as standard (separated type only)
- Probe installation: according to range and probe selection

Measuring Principle



As shown above, the spatial distance D of the measuring medium surface is proportional to the travelling time T of the sound wave:

$$D = V \times T / 2 \quad (V \text{ is sound speed}).$$

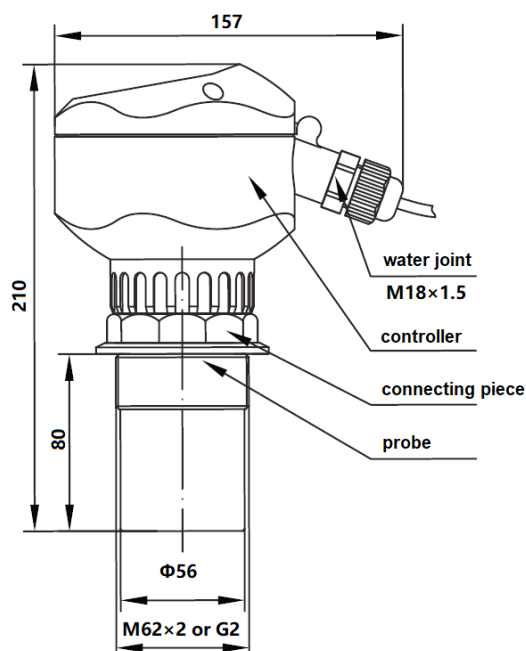
The distance E of the empty tank is known, the material level or liquid level L is:

$$L = H - D$$

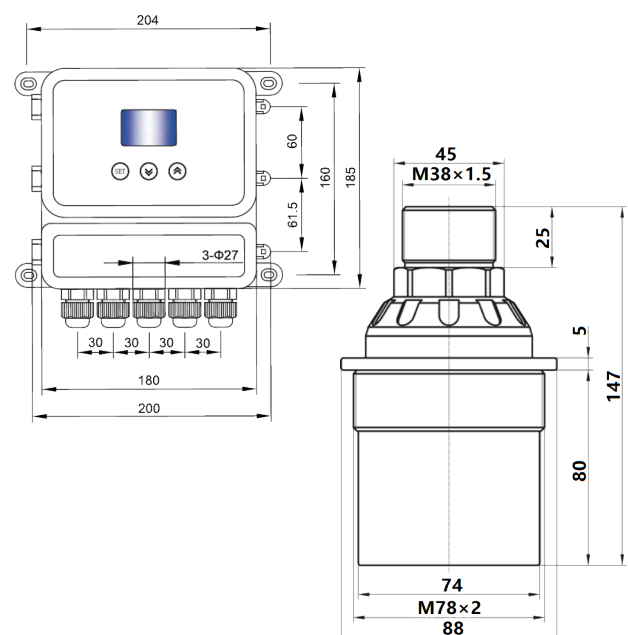
After setting the empty tank value, full tank value and other application parameters, the instrument electronic unit automatically converts the pulse travelling time T to the corresponding level value L and output the corresponding 4mA ~ 20mA DC signal.

Outline Construction (unit: mm)

Integrated type



Separated type



Order Guide

LR725L	Ultrasonic Level Meter													
Code	Type													
W	Integrated													
F	Separated													
Code	Type													
YW	Ultrasonic liquid level meter													
WW	Ultrasonic material level meter													
CJ	Ultrasonic differential level meter													
Code	Level range													
--	2 numbers, eg: 05 is 5m, 30 is 30m.													
Code	Probe material													
A	ABS													
E	PE													
F	PTFE													
V	PVDF													
S	SS													
T	Others													
Code	Probe mounting dimension													
A	M48×2mm													
B	M60×2mm													
C	M78×2mm													
D	M108×2mm													
E	M98×2mm													
F	G1-1/2, Amajor diameter: Φ47.8mm													
G	G2A, Amajor diameter: Φ59.6mm													
H	1-1/2"NPT, Amajor diameter: Φ48.1mm													
I	2"NPT, Amajor diameter: Φ60.1mm													
T	Others													
Code	Mounting methods													
N	non flange mounting type													
B	DN40 flange													
C	DN50 flange													
D	DN65 flange													
E	DN80 flange													
F	DN100 flange													
G	DN125 flange													
H	DN150 flange													
I	DN200 flange													
Code	Thread length of Extended probe													
	Null, standard probe													
---	3 numbers indicate thread length (probe length included), unit: mm, eg: 100, indicating thread length of extended probe is 100mm													
Code	Power supply													
DCSP	12V DC, 9V DC, battery supply													
DC	24V DC (4-wire)													
AC	220V AC (4-wire)													
TC	24V DC (2-wire)													
Code	Relay quantity													
R0	no relay													
R1	1													
R2	2													
R3	3													
R4	4													
Code	Output signal													
MA	4mA ~ 20mA DC													
C2	RS232													
C4	RS485													
C2MA	4mA ~ 20mA DC +RS232													
C4MA	4mA ~ 20mA DC +RS485													
HTMA	4mA ~ 20mA DC +HART													
TS	Others													
Code	Probe quantity													
S1	1													
S2	2													
SN	N													
Code	Electronic housing material													
PL	ABS													
AI	Aluminum casting													
F4	Polytetrafluoroethylene													
S4	SS304													
S6	SS316													
Code	Probe cable length													
00	no cables (generally for integrated type)													
---	3 numbers, eg: 010 indicates probe with 10m cables													
200	200 max. cable length is 200m													
LR725L	-W	-WW	-15	A	C	N	-	TC	R0	MA	S1	PL	00	The whole spec.